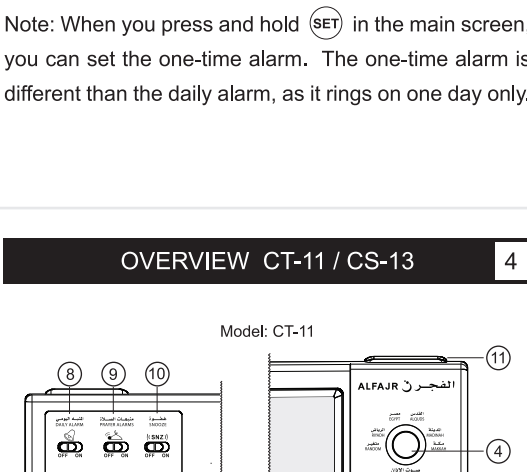
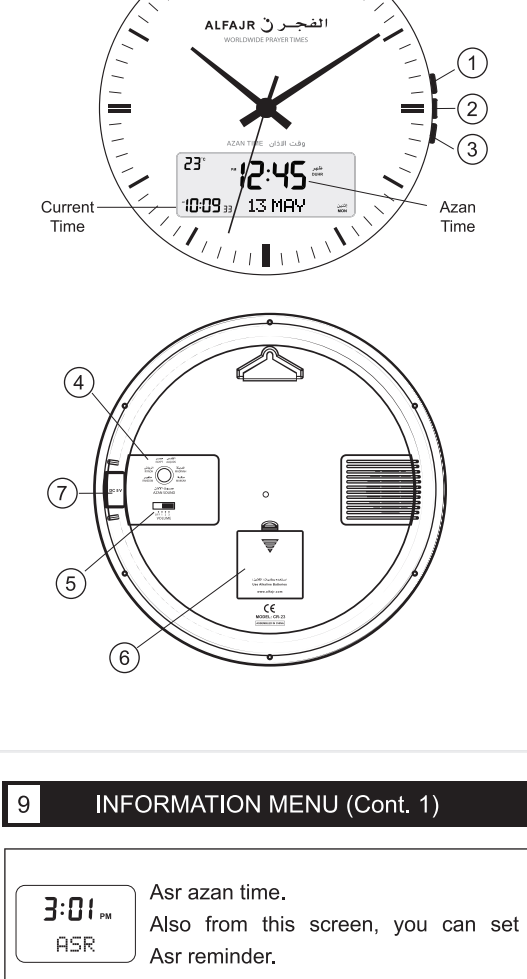
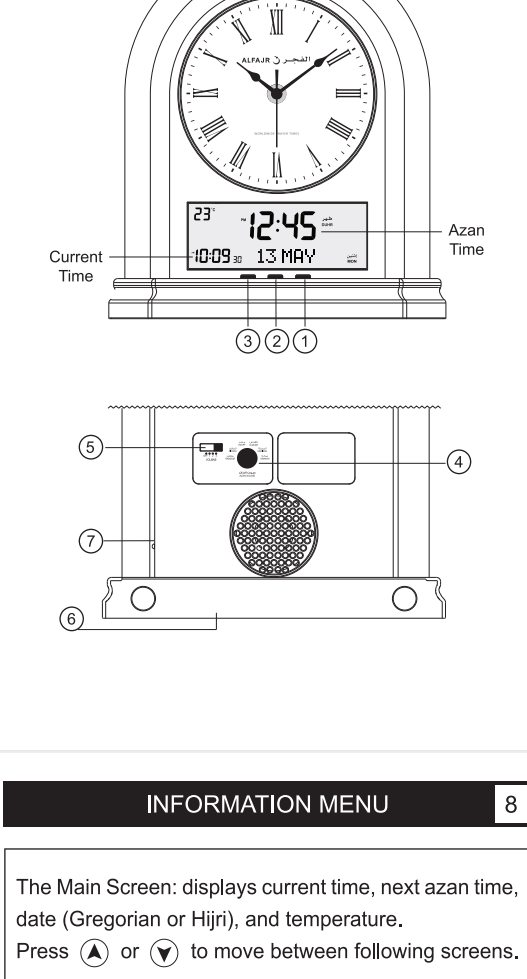
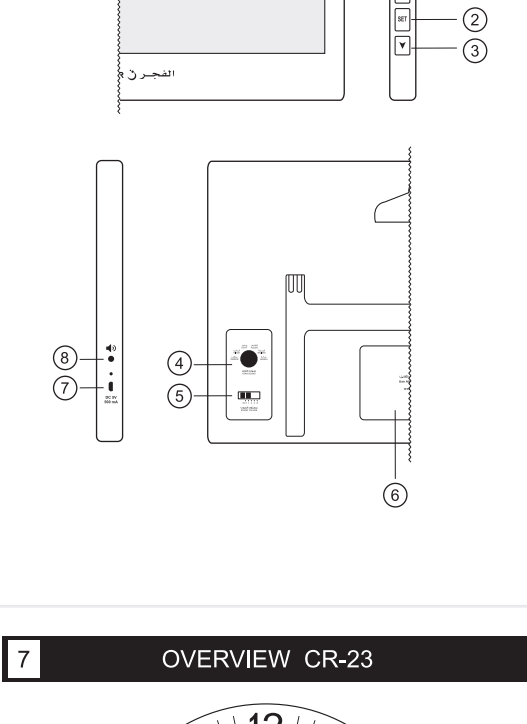
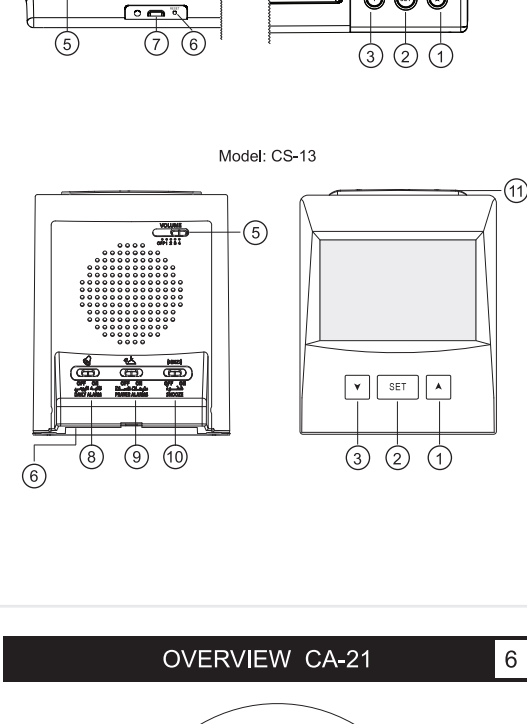


CONTENTS	
MAIN FEATURES	1
MAIN SCREEN	2
BUTTONS & SWITCHES	3
OVERVIEW	4
INFORMATION MENU	8
HIJRI CALENDAR SETTING	15
TIME & CALENDAR SETTING	16
CITY SELECTION	17
ADDING NEW CITY	18
DAILY ALARM (CT-11 / CS-13)	19
PRAYER ALARM (CT-11 / CS-13)	20
PRAYER REMINDER (Other Clocks)	21
TAQWEEM SELECTION	22
AZAN INDEX SELECTION	23
FREQUENTLY ASKED QUESTIONS	25

- ### 1 MAIN FEATURES
- 1 Azan sound in different voices
  - 2 Azan times for all cities around the world
  - 3 Prayer alarm, reminders
  - 4 Daily alarm (CT-11 / CS-13)
  - 5 One-Time alarm
  - 6 Arabic / English languages ( ENGLISH / عربي )
  - 7 Hijri and Gregorian calendars
  - 8 Temperature display °C / °F
  - 9 Daylight saving time option (Automatic)
  - 10 Dates of the Next Islamic Events
  - 11 USB power socket
  - 12 Low battery indicator
  - 13 Autosync analog time (CA-21 / CR-23)
  - 14 Azan analog Index (CA-21 / CR-23)



- ### 3 BUTTONS & SWITCHES
- UP button
  - SET button
  - DOWN button
  - AZAN SOUND selector
  - VOLUME control switch
  - RESET button
  - USB power socket (not for recharging)
  - Outside Speaker (CW-15 / CJ-17 / CF-19)
  - Daily Alarm switch\*
  - Prayer Alarm switch\*
  - Snooze switch\* (5 minutes interval)
  - Light / Stop button\*
- \* In CT-11 and CS-13 clocks.



- ### 8 INFORMATION MENU
- The Main Screen: displays current time, next azan time, date (Gregorian or Hijri), and temperature. Press (▲) or (▼) to move between following screens.
- 1443 29 RAJAB**: This screen shows the hijri calendar. To adjust hijri calendar (if needed), press & hold (SET), page 15.
  - 1:20 TO FAJR 4:32**: This screen displays the next prayer time & the time remaining to next azan. In this example, time remaining to Fajr azan is one hour and 20 minutes.
  - 5:49 SHUROUQ**: This screen displays Shuroq time. Also from this screen, you can set Shuroq reminder.
  - 11:40 DHUHR**: Dhuhr azan time. Also from this screen, you can set Dhuhr reminder.

- ### 9 INFORMATION MENU (Cont. 1)
- 3:01 ASR**: Asr azan time. Also from this screen, you can set Asr reminder.
  - 5:30 MAGRIB**: Magrib azan time. Also from this screen, you can set Magrib reminder.
  - 7:00 ISHA**: Isha azan time. Also from this screen, you can set Isha reminder. After waiting for few seconds, the clock will display the "Midnight" time.
  - 4:32 FAJR**: This screen displays Fajr azan time. Also from this screen, you can set Fajr reminder. After waiting for few seconds, the clock will display the beginning time of "the last third of the night".

- ### 10 INFORMATION MENU (Cont. 2)
- CITY**: From this screen you can select your city (page 17 & 18).
  - EVENTS**: Press & hold (SET) to display the expected date of the coming Islamic event.
  - 1 RAMDAN 02-04-2022**: In this example, the coming event is Ramadhan 1443H, which will start on 2/April/2022. Press (▲) to see the dates of the next Islamic events.
  - 12:30 TIME**: This screen displays the current digital time. The time (analog & digital) and calendar can be adjusted from this screen (page 16).
  - ALARM\***: From this screen you can set the daily alarm, which rings at the same time everyday (page 19).

- ### 11 INFORMATION MENU (Cont. 3)
- CALENDAR**: To display either the Gregorian calendar or Hijri calendar on the main screen. You can also select option (BOTH), to display both calendars interchangeably.
  - TEMPER (°C/°F)**: The clock displays the current temperature, and after few seconds, it will display the maximum and minimum temperatures reached in the last 24 hours. The temperature is displayed in degrees Celsius (°C), and can be changed to Fahrenheit (°F).
  - INDEX\* HAND**: The azan index is a new innovative feature, in which azan is counted up and count down is indicated by the analog seconds hand.

- ### 12 INFORMATION MENU (Cont. 4)
- FORMAT TIME**: Can change time format to 12 hours (AM/PM) or 24 hours format. In CA21/CR23, can display or hide the current time on the main screen. In other models, you can display or hide the running seconds.
  - AZAN DISPLAY**: The clock displays the azan time or azan counter (from -30 minutes to +30 minutes before/after azan). From this screen you can display azan time, or azan counter, or alternate between them.
  - AZAN CONTROL**: From this screen you can disable or enable azan sound of any of the five azans, independently. For example: if you wish to disable Dhuhr azan sound, enter the setting here and use (▲) & (▼) to set Dhuhr sound "OFF". The clock will play the other four azans only.

- ### 13 INFORMATION MENU (Cont. 5)
- AZAN VOICE**: This clock contains five different azan voices. From this screen, you can change the default voice. Also can directly use button (4) (page 3).
  - TAQWEEM**: The clock uses the local (or the most widely used) taqweem system in your city. As needed, other taqweem systems can be selected (page 22).
  - DST**: Daylight Saving Time (DST). When DST is ON, azan times and current time are advanced by one hour. In Europe & North America, the DST is automatically adjusted (Auto DST).

- ### 14 INFORMATION MENU (Cont. 6)
- 244 QIBLA**: This screen displays Qibla direction. And after few seconds, the angle (from North) will be displayed. In this example, qibla direction is South-West with angle 244°.
  - NEW MOON 2 APR 9:33**: Press and hold (SET) to display the date and time of the next moon birth. For example, the moon birth of Ramadan 1443 (new moon) will be on 2/April/2022 at 9:33PM (based on Makkah local time). Note: The moon birth time depends on GMT at your location.
  - WWW.ALFAJR**: Website: [www.alfajr.com](http://www.alfajr.com)
  - Battery Level**: This screen displays the battery level. To display battery level in Volts, press and hold (SET).

- ### 15 HIJRI CALENDAR SETTING
- To reach Hijri (or Gregorian\*) date, press (▲) once to reach Hijri screen, then follow the steps below:
- 1443 29 RAJAB**: Press & hold (SET) to enter setting.
  - 29 7 DAY**: Use (▲) or (▼) to adjust day then press (SET).
  - 29 7 RRJAB**: Use (▲) or (▼) to adjust month then press (SET).
  - 1443 YEAR**: Use (▲) or (▼) to adjust year then press (SET).
- \* To set Gregorian calendar, see page 16.
- NOTE**: After changing the Hijri date, the Gregorian date will not change. But, after setting the Gregorian date, the Hijri date is automatically adjusted according to Um Alqura calendar.

- ### 16 TIME & CALENDAR
- To set the time and Gregorian (or Hijri\*) date, press (▲) several times to reach [TIME] screen, then press (SET) to start setting, then:
- 10:30 AM HOUR**: Adjust hours (and note AM/PM) then press (SET).
  - 10:30 MINUTES**: Use (▲) or (▼) to adjust minutes then press (SET).
  - 12 10 DAY**: Use (▲) or (▼) to adjust day then press (SET).
  - 12 10 OCTOBER**: Use (▲) or (▼) to adjust month then press (SET).
  - 2022 YEAR**: Use (▲) or (▼) to adjust year then press (SET).
- \* To set Hijri calendar, see page 15.
- NOTE**: In CA-21 and CR-23, after digital time setting, the analog hands will be adjusted according to the digital time.

- ### 17 CITY SELECTION
- To select any city in the clock, press (▲) several times to reach [CITY] screen, then press and hold (SET) to start setting, then:
- UAE**: Use (▲) or (▼) to select your country\* then press (SET).
  - DUBAI**: Use (▲) or (▼) to select your city\* then press (SET).
- \* If your city is not already pre-programmed in the clock, see page 18.
- NOTE**: After change the city, the time (analog & digital) and the new azan times of new city will be adjusted automatically.
- NOTE**: If azan times are not correct, make sure to correctly set: your city, Gregorian calendar, DST option, and a suitable taqweem system.

- ### 18 ADDING NEW CITY
- Any location around the world can be selected using latitude, longitude and GMT information. For example, in the following steps show how to set the city of Corvallis, in USA with latitude (44° 34' N) and longitude (123° 16' E), and GMT-8:00:
- 1/ From [CITY] screen, press and hold (SET)
  - 2/ Select Country [USA], then press (SET)
  - 3/ Select [NEW CITY] then press (SET)
  - 4/ Adjust latitude (44N), press (SET) and adjust minutes (34), then press (SET)
  - 5/ Adjust longitude (123E), press (SET) and adjust minutes (16), then press (SET)
  - 6/ Adjust GMT(-8:00) then press (SET)
- After above setting, this location is stored in the clock, and time of the current new city and new azan times are recalculated.
- For more information visit: [alfajr.com/en/city](http://alfajr.com/en/city)
- NOTE**: If azan times are not correct, make sure to correctly set: Longitude and latitude coordinates, Gregorian calendar, Time zone (GMT), DST option, and a suitable taqweem system.

- ### 19 DAILY ALARM CT-11 / CS-13
- The daily alarm is a regular alarm that rings at the same time everyday or specific days. Setting the daily alarm is shown below:
- OFF ON**: Turn ON the daily alarm switch (behind the clock). Note: The icon (ON) will be displayed.
  - ALARM**: Move to [ALARM] screen, then press & hold (SET)
  - 5:00**: Use (▲) or (▼) to adjust the alarm hours and minutes, then press (SET)
  - 7 DAYS**: Use (▲) or (▼) to adjust the specific alarm days (5, 6, 7, or custom days), then press (SET)
  - 5 TONE #**: Use (▲) or (▼) to select a starting alarm tone, then press (SET)
- NOTE**: To stop any alarm, press the STOP button (rather than turning OFF the alarm switch); in this case, the alarm will also ring the next day.
- NOTE**: To make the 5 minutes snooze, press & hold the STOP button. This will also cancel all alarms coming in the next 20 minutes.

- ### 20 PRAYER ALARM CT-11/CS-13
- Prayer alarms are useful for Iqama or prayer time. Each prayer alarm can be set to ring before or after the azan by a fixed interval.
- Example**: To set Asr prayer alarm to always ring before the azan by 5 minutes, follow the steps below:
- OFF ON**: Turn ON the prayer alarm switch (behind the clock). Note: The icon (ON) will be displayed on the LCD.
  - 3:01 ASR**: Move to Asr screen, then press & hold (SET) to enter setting
  - 5 ASR ALM**: Use (▲) or (▼) to adjust number of minutes (before or after the azan), or OFF, then press (SET).
  - 8 TONE #**: Use (▲) or (▼) to select a different pre-alarm tone, then press (SET). The pre-alarm tone is played at beginning of each alarm.
- NOTE**: In the default setting, all prayer alarms are set OFF.
- \* When the prayer alarm switch is turned OFF, all prayer alarms will be disabled.

- ### 21 PRAYER REMINDERS (Other Clocks)
- In clock models (CW-15, CJ-17, CF-19, CA-21, CR-23) you can set Prayer or Iqama reminder (5 beeps) for each prayer. These reminders can be set before or after the azan time by a fixed interval, or can be set OFF, for each prayer independently.
- Example**: To set Asr prayer reminder to always ring before the azan by 5 minutes, move to Asr screen, then follow the steps below:
- 3:01 ASR**: Press & hold (SET) to enter setting
  - 5 ASR ALM**: Adjust -5 minutes before azan, then press (SET)
  - 3 TONE LEVEL**: Use (▲) or (▼) to select volume level, then press (SET)
- NOTE**: In the default setting of your clock, "prayer reminders" are all OFF.

- ### 22 TAQWEEM SELECTION
- Your clock is already programmed to use the local (or the most widely used) taqweem system for your country. You can select another taqweem by following below steps:
- 1/ Press (▲) several times until reach to [TAQWEEM]
  - 2/ Press and hold (SET) to enter setting mode.
  - 3/ Use (▲) or (▼) to select the desired taqweem, then press (SET) to confirm.
- Main Taqweem Systems:**
- Muslim League
  - Islamic Society of North America (ISNA)
  - Islamic Scientific University (Hanafi)
  - Egypt taqweem
  - Fixed (where Isha is 1:30 after Magrib and Fajr 1:30 before Shuroq)
  - Um Alqura taqweem
  - Custom taqweem: To select different calculation method for Fajr, Asr, and Isha azan times. You can also set azan safety times here.

- ### 23 AZAN INDEX CA-21 / CR-23
- The "azan index" is an innovative feature, in which the analog "seconds hand" points to the "azan counter" value (between -30 to +30 minutes), see below examples. See page 24 to activate or disable this feature.
- Example 1:** In the below figure, Magrib azan is at 5:20pm and the current time is 5:10pm (i.e. 10 minutes before Azan). Notice that the "seconds hand" points to index -10
- 
- Example 2:** Again in the below figure, Magrib azan is at 5:20pm but the current time is 5:35pm (i.e. 15 minutes after Azan). In this case, the "seconds hand" will point to index +15.
- 

- ### 24 AZAN INDEX (Cont.)
- You can select the "seconds hand" to indicate the azan counter (see page 23) or it can move as a normal second hand.
- To select AZAN INDEX option, press (▲) few times to get to [INDEX H] screen (azan index hand), then press & hold (SET) to enter setting, then select:
- ON : means "seconds hand" acts as AZAN INDEX  
OFF: means the hand acts as normal running seconds.
- At main screen, the "seconds hand" will correctly resync to the current azan counter position or to the running digital seconds, depending on your selection.
- NOTE**: Exactly at each azan time, the "seconds hand" will be at 12 o'clock position.
- NOTE**: If "azan counter" is not between -30 to +30 minutes, the "seconds hand" will stay at position 30 (OFF), indicating the counter is inactive.

- ### 25 FREQUENTLY ASKED QUESTIONS
- Q:** Can any city be selected in this clock?  
**A:** Yes, any location around the world can be selected, (see page 18).
- Q:** Azan times are not correct. Why?  
**A:** Make sure you have correctly set the following:  
**a)** City name, **b)** Gregorian calendar, **c)** DST (Daylight saving time option), **d)** Taqweem system.
- Q:** Can I set the clock not to play Magrib and Isha azan sounds?  
**A:** Yes, you can play or not play any of the five azan sounds independently, (through azan sound ON / OFF control) page 12.
- Q:** How can I restart my clock?  
**A:** To restart the clock, press the RESET button (which is located inside the battery compartment).
- Q:** Seconds hand is not moving in CA-21/CR-23. Why?  
**A:** It is possible that Azan Index option is (ON). To make seconds move in a normal way, set this option to OFF, see page 24.
- Q:** How can I adjust the analog hands in CA-21 or CR-23 clock?  
**A:** There is no analog hands setting. The analog hands automatically follow the digital time (page 16).